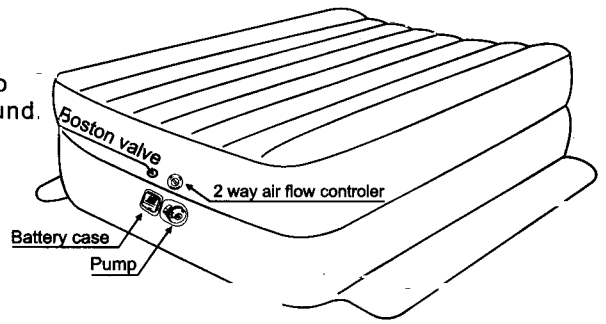
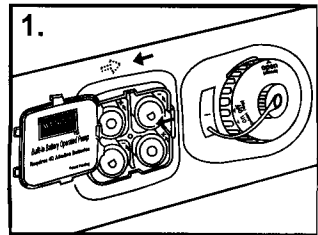


For better protection of this product, never unfold or inflate the airbed in temperatures below freezing, avoid extensive exposure to the sun and protect from contact with sharp objects and rough ground. Make sure to handle the pump with care, avoid pounding and grounding the air bed material to prevent damage PVC material.

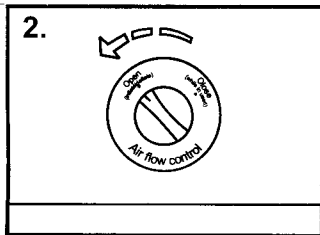
**Inflating and deflating Instructions** (Before inflating make sure the Boston valve is properly closed)



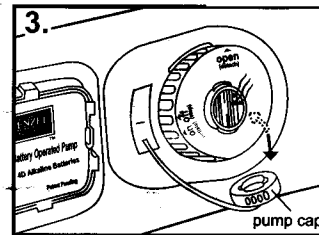
## INFLATION



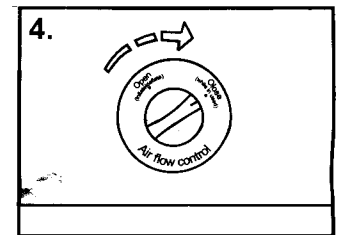
1. Insert four D-size alkaline batteries. Do not mix old & new batteries. This can cause poor pump performance.



2. On the gusset of the top chamber is a air flow controller, before inflating, switch to "open" to connect air chambers.

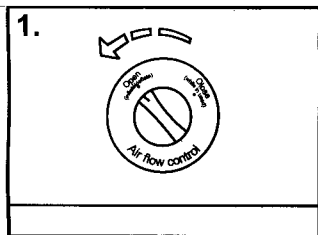


3. To inflate air mattress, remove pump cap, turn pump to "On" position. When air mattress reaches desired firmness, turn pump to "Off" position. Replace pump cap tightly.

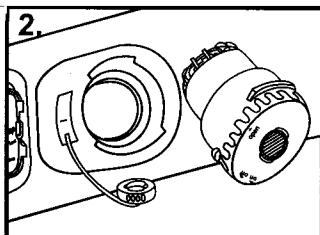


4. After inflating, turn the air flow control to closed position.

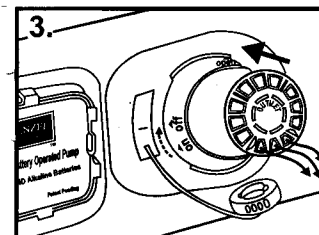
## DEFLATION



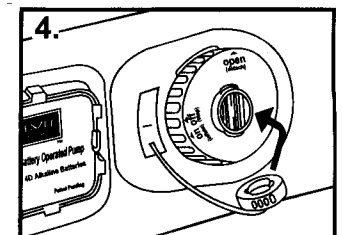
1. Before deflating, switch to "open" to connect all the air chambers.



2. Turn pump to "Open" position and detach pump. For faster deflation, it is recommended to first detach pump and leave the bed to deflate naturally for one minute, then proceed to "Step 3".



3. Unscrew pump cap and reverse the pump by inserting the inlet side of pump into valve. Switch to "On" position to deflate.



4. When finished deflating turn switch to "Open" position and remove pump. Then reverse pump by returning it to its original position. Switch to "Off" position and replace pump cap before storing.

## NOTE:

PVC may stretch during first use and may need additional air to reach desired firmness. Air inside of bed may expand and contract with varying temperatures potentially leading to reduced pressure inside bed.

## CARE AND MAINTENANCE:

Do not use cleaning agents such as Benzine or scouring powder as these will harm the material.

Clean air beds only with soap and water. Pump gasket may need occasional lubrication to maintain a positive seal.

Storage at high temperatures may reduce battery life. Pump electrodes may need occasional cleaning to maintain a proper power supply. To clean disconnect pump power and wipe with dry towel. Electrodes can be located at the pump outside wall(2), socket inside wall(2), battery case bottom(4), and battery case cover(4).

## REPAIRING:(Repair Patch Included)

For small puncture holes, tears or cuts: Cut a small piece of PVC patch material (included) and apply patch.

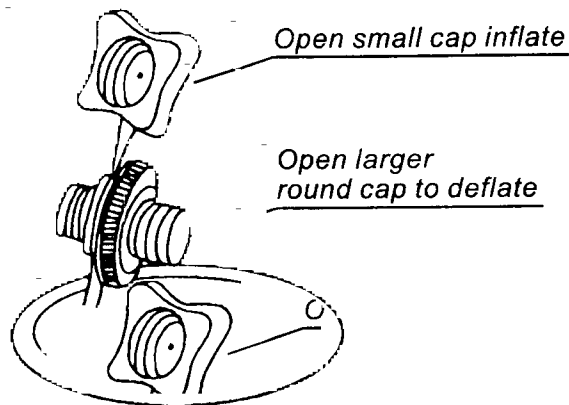
Allow at least four (4) hours for repair to set before attempting to inflate the air bed.

## CAUTION:

1. Do not over inflate.
2. For proper pump usage, it is recommended not to exceed 10 minutes of inflation/deflation time.
3. Make sure to return the pump to its original position to prevent damage to the pump during storage.
4. Do not use as a water float or as a life saving device.
5. Never allow sand, small rocks or any objects to be sucked into the pump while operating.
6. It is recommended to separate the batteries from the battery case when the pump is not in use.

## WARNING:

Do Not Mix Old And New Batteries. Do Not Mix Alkaline, Standard (Carbon-Zinc), Or Rechargeable (Nickel Cadmium) Batteries. This will lead to poor pump performance.



The Boston valve may also be used for ordinary inflation or deflation. May use this valve to add air for desired firmness.

Wenzel, a division of  
American Recreation  
Products, Inc.  
St. Louis, Missouri 63141  
TEL: 1-800-325-8368  
[www.wenzelco.com](http://www.wenzelco.com)