

Model 36155 – Cedar Glen

Patent No. D478, 645

Assembly Instructions

Important: We advise you to assemble the tent once before you go camping to become familiar with the assembly of the tent. For this model, it is recommended that two adults be involved with the set up operation. Please look at the replacement parts diagram to see how your frame is assembled.

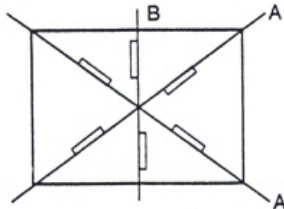
Note: To prolong the life of the tent floor, select a level, clean area for the campsite. To prevent damage to the zipper, unzip the doors prior to tent setup, to allow air to enter the tent. To improve the weather resistance of your tent, it is advisable to use a seam sealer to coat all exposed seams. If applied to the outside of seams, discoloration of your tent may occur. Seam sealer is available at the camping section of your local sporting good store. For your convenience and improved tent functionality, we have developed a self-contained storm flap pocket. Simply unzip the storm flaps covering the windows and doors and drop into the pocket that has been formed between the bottom of the storm flap and the mesh window.

Step 1: Spread tent out flat, floor side down. Stake down tent by inserting the larger, plastic stake through the stake loops at each tent corner. Hammer stakes into the ground at a 45° angle by using a hammer or mallet. Make sure to pull tent out even and tight. Continue to stake down the tent floor by using the remaining plastic stakes and inserting into the stake loops at the base of the tent.

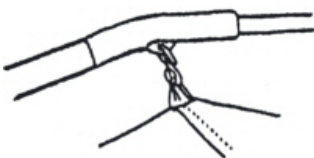
Step 2: Locate the fiberglass tent frame sections. Extend each fiberglass pole by pulling out each section and placing it into the metal ferrule. You will have 7 fiberglass poles. The three poles with plastic joints on each end are the main tent poles. The two longest poles (A) are the main tent poles, and the remaining tent pole with plastic joints in each end (B) is the center tent pole. The two longer remaining poles are the side bay window poles (D).



Step 3: While making sure sleeves are in line with each other, slide the two longest tent poles (A) through the sleeves that are opposite each other on the roof of the tent. Slide the center tent pole (B) through the two sleeves at the center roof of the tent. Straighten the sleeves along the fiberglass sections. Position poles so that they cross at the center of the tent roof.



Step 4: Attach the small hooks at each roof corner of the tent to the holes in each of the plastic elbow joints. Flexing the fiberglass will be necessary.



Step 5: Extend each of the wire coated steel frame poles. The four longer poles with attached molded plastic joints are the four corner poles (E). The two shorter poles are the center poles (F). The shortest steel pole (G) can be used as a clothesline.

Step 6: Insert the two center poles (F) into the open end of the plastic elbow joint at the center of the tent. With a person on each side of the tent, raise up the center frame uprights and place the bottom ends of the frame over the metal pins at the center base of the tent.



Step 7: Locate the four corner poles (E) and insert the top of each pole into the open ends of the plastic elbow joints at each tent corner. Please note that there are two plastic joints attached to the corner uprights. The top plastic joint will be used for the fly poles. The lower plastic joints will be used for the bay window extensions. With a person on opposite ends of the poles, flex the fiberglass arch and place the bottom ends of the steel poles over the pins at the tent corners. Repeat this step with the remaining corner poles.

Step 8: Take one of the two side fiberglass bay window poles and insert into the sleeves over the bay window on one end of the tent. With a person on each end of the bay window pole, flex the fiberglass pole and insert the ends into the lower plastic joints attached to the corner poles, approx. midway at the tent wall. Repeat this step with the other side fiberglass bay window pole and the window on the opposite end of the tent.

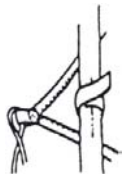
The tent should appear as shown.



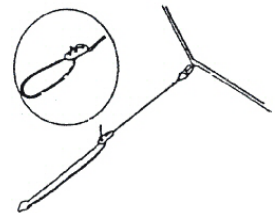
Step 9: Unfold the fly and stretch out all corners. Place the fly over the tent, making certain the fly awning is over the front doors. Attach fly to tent by attaching the plastic hooks on the corners to D-rings at the corners of the tent.

Step 10: Insert one of the fly poles into the sleeve found at the very edge of the fly awning, over the front doors. With a person on each end of the fly pole, flex the pole and insert each end into the upper plastic joint attached to the corner uprights. Repeat this step with the remaining fly pole and the awning over the rear tent windows.

Step 11: Secure the fly to the tent by wrapping the Velcro fasteners at each corner of the fly around the tent poles.



Step 12: Attach one of each of the four longest guy ropes to the loops sewn to the fly corners. Make a loop at the opposite end of the guy rope using slider (as shown) and place loop over plastic tent stake. Adjust slider to make guy rope tight and stake to the ground. Repeat with the other loops on the fly corners.



Step 13: Attach the remaining, shorter guy ropes to the loops sewn to the fly above the bay windows. Following the same assembly procedure as detailed in step 12, stake each guy rope to the ground. The tent should appear as shown.



There are hanging shelves which can be attached to the inside corners of your tent by attaching to the fabric loops. **Please note that the recommended weight limit on the shelves is 10 LBS.** There is also a clothesline pole, which can be attached to the rear tent wall to hold towels or small camping items. **Please note, that the recommended weight limit on the clothesline pole is 20 LBS.** There is also a mud mat which can be staked to the ground with the small metal pin-stakes in front of the tent doors, to help keep your tent more clean.

Note: To take down tent, follow the above steps in the reverse order. Be sure to leave doors unzipped. Place stakes into stake bag and poles into pole bag, which are provided. The tent should be folded into equal parts toward the center of the tent to distribute the bulk. Fold fly and lay it on top of tent. Start a small tight roll, the width of your carry bag, with the pole bag placed at the end opposite the door. Roll tent toward door to allow air to escape. Once rolled, tie string around tent and slide into carry bag. Make sure tent is clean and dry before storing.

Safety And Care Instructions

Warning!

Keep all flame and heat sources away from this tent fabric! This tent is made with flame resistant fabric, which meets CPAI-84 specifications. **It is not fireproof.** The fabric will burn if left in continuous contact with any flame source. The application of any foreign substance to the tent fabric may render the flame-resistant properties ineffective.

Danger:

Stoves, lanterns candles, grills heaters and other fuel burning devices produce carbon monoxide and will consume the available oxygen in this tent. Use of such devices in this tent will cause asphyxiation, carbon monoxide poisoning, and death or serious permanent injuries. For this reason:

- DO NOT use fuel burning devices inside or near this tent
- Your failure to follow this warning will cause death or serious and permanent injury to you or others using this tent.

DO NOT ...

1. Do not pitch tent near open fire.
2. Do not leave campfire unattended
3. Do not leave children unattended inside a tent
4. Do not use heating, lighting or cooking equipment with open flames in or near tents
5. Do not use other than recommended water repellent compounds on your tent.
6. Do not spray the tent with insecticide.

Do ...

1. Always extinguish campfire before leaving area.
2. Exercise care when using electricity and lighting in and near tents
3. Make certain your tent is properly ventilated in all weather conditions. In extreme weather conditions, snow could obstruct airflow and cause asphyxiation unless cleared frequently.
4. Anchor your tent securely to provide additional security from changing climatic conditions. Snow pegs, skis and/or heavy rocks may be necessary to supplement tent stakes and guy cords.
5. Take your tent down and store properly after camping.

Do not leave your tent set up in direct sunlight longer than necessary.

The sun's ultraviolet (UV) light degrades almost every fabric and material. If left in the sunlight for prolonged periods of time, fabric will fade and weaken. **Do not store tent on concrete floor.**

Your tent is water repellent. However, it is not waterproof. During heavy rain, some leakage may occur. Keep objects from touching the inside of the tent. Such objects may cause leakage at point of contact. If seam leakage occurs, it can be controlled by applying a seam sealer compound.

Although our tents and screen houses are constructed to ridged specifications, periods of wind or rain soaking the ground may loosen the stakes and cause the uprights to sink into the ground. This will weaken the rigidity of the overall structure. Water pockets may also form in the roof if the unit is not assembled taut, possibly causing broken frames and torn fabric.

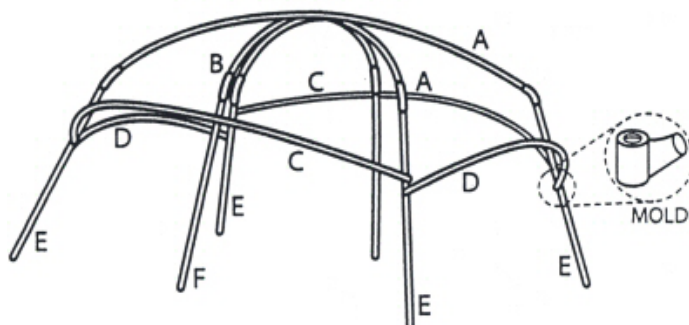


Replacement Parts

If you have any questions or need to order a part, call 1-800-325-8368 or log into our website at www.camping-n-gear.com Please have your model number and part number available.

Send your request for parts to: **The Wenzel Company**
113 Industrial Drive
New Haven, MO 63068

DO NOT ORDER BY REFERENCE KEY NUMBER



Key Number	Model No. 36155		Qty. Req.
	Description	Part Number	
A	Fiberglass tent pole	03-0088	2
B	Fiberglass tent pole – Middle	03-0089	1
C	Fiberglass fly pole	03-0091	2
D	Fiberglass bay window pole	03-0090	2
E	Steel corner pole	03-0092BS	4
F	Steel center pole	03-0093BS	2
	Complete frame	36155FR	1
	Replacement fly	36155FLY	1
	Gear shelf	36154SH	1
	Guy ropes	A1001	6
	Plastic stakes	7.5 STAKE	16
	Metal stakes	PINSTAKE	6
	Clothesline pole	03-0094BS	1